



Double stage emergency inlet station (Q = 90 Nm³/h)

IDENTIFICATION

- ▶ Emergency manifold decompression station for medical gas distribution systems, max flow rate 90 Nm³/h
- ▶ Double pressure regulation between high pressure source and distribution line
- ▶ Source pressure monitoring by means of pressure transducer or pressure switch (option)
- ▶ Mounted on galvanized and painted steel rack
- ▶ Laser-marked plate indicating production lot and product code

CE MARKING

Notified body: 0426
CE marking in risk class II B in accordance with
Directive 93/42/EEC

REFERENCE STANDARD

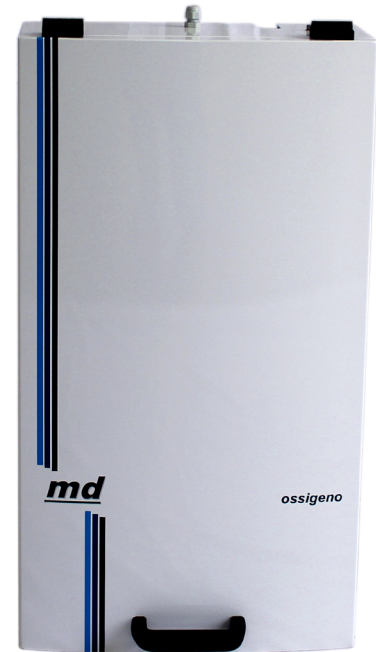
ISO 10524-2: "Pressure regulators for use with medical gases - Part 2: Manifold and line pressure regulators"

ISO 7396-1: "Medical gas pipeline systems - Part 1: Pipeline systems for compressed medical gases and vacuum"

ISO 15001: "Anaesthetic and respiratory equipment. Compatibility with oxygen"

* Validity of the standards is referred to the current year

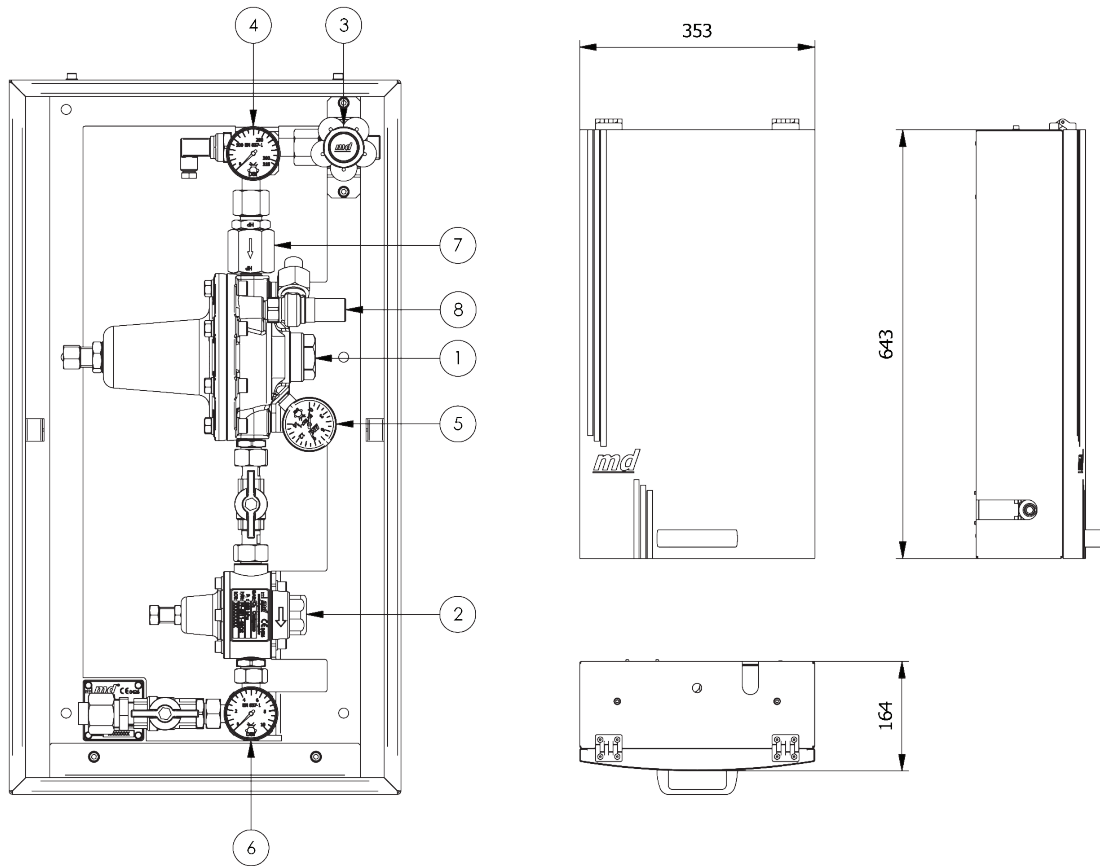
- ▶ 1st stage pressure regulator max flow rate at 8.5 bar: 180 Nm³/h
- ▶ 2nd stage pressure regulator max flow rate at 4.0 bar: 90 Nm³/h
- ▶ Inlet connection: W 21.7 x 1/14" male
- ▶ Outlet connection: Ø= 16x1mm copper pipe
- ▶ Maximum inlet pressure: 220 bar
- ▶ Intermediate pressure: 7 ÷ 10 bar
- ▶ Outlet pressure: 4 ÷ 5 bar
- ▶ 1st stage safety valve opening pressure: 14 bar
- ▶ Storage and working temperature: -20 °C ÷ +60 °C
- ▶ Inlet pressure gauge precision class and scale: 2.5; 0 ÷ 315 bar (0 ÷ 160 bar for N₂O and CO₂)
- ▶ Outlet pressure gauge precision class and scale: 2.5; 0 ÷ 10 bar;
- ▶ 1st and 2nd stage regulators inlet degree of filtration: ≤ 24 µm





Double stage emergency inlet station (Q = 90 Nm³/h)

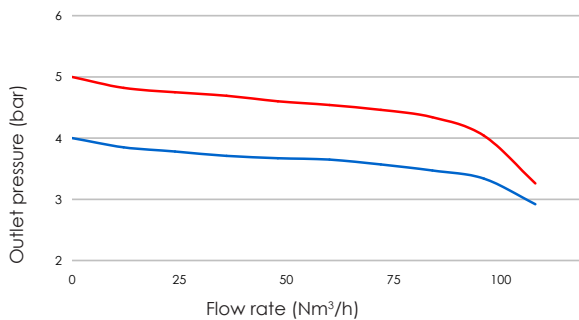
DIMENSIONS



KEY:

- 1. 1st stage pressure regulator
- 2. 2nd stage pressure regulator
- 3. HP inlet valve
- 4. HP pressure gauge
- 5. Intermediate pressure gauge
- 6. Line pressure gauge
- 7. HP filter
- 8. 1st stage regulator safety valve

PRESSURE/FLOW RATE CHARACTERISTIC



KEY:

- Outlet P regulation: 5.0 bar
- Outlet P regulation: 4.0 bar

* Inlet pressure: 200 bar; Intermediate pressure: 8.5 bar

CODE	GAS	OPTIONS				PACKAGING		
		PRESSURE TRANSDUCER		PRESSURE SWITCH		type	cm	kg
		CODE	SCALE	CODE				
PF-5601-00O2	O ₂	KT-2210-0250	0-250 bar	KT-2200-HWA1	20 bar calibraton	box	40 x 70 x 20	18
PF-5601-00AC	Air	KT-2210-0250	0-250 bar	KT-2200-HWB2	11 bar calibraton	box	40 x 70 x 20	18
PF-5601-0N2O	N ₂ O	KT-2210-0100	0-100 bar			box	40 x 70 x 20	18
PF-5601-0CO2	CO ₂	KT-2210-0100	0-100 bar			box	40 x 70 x 20	18

